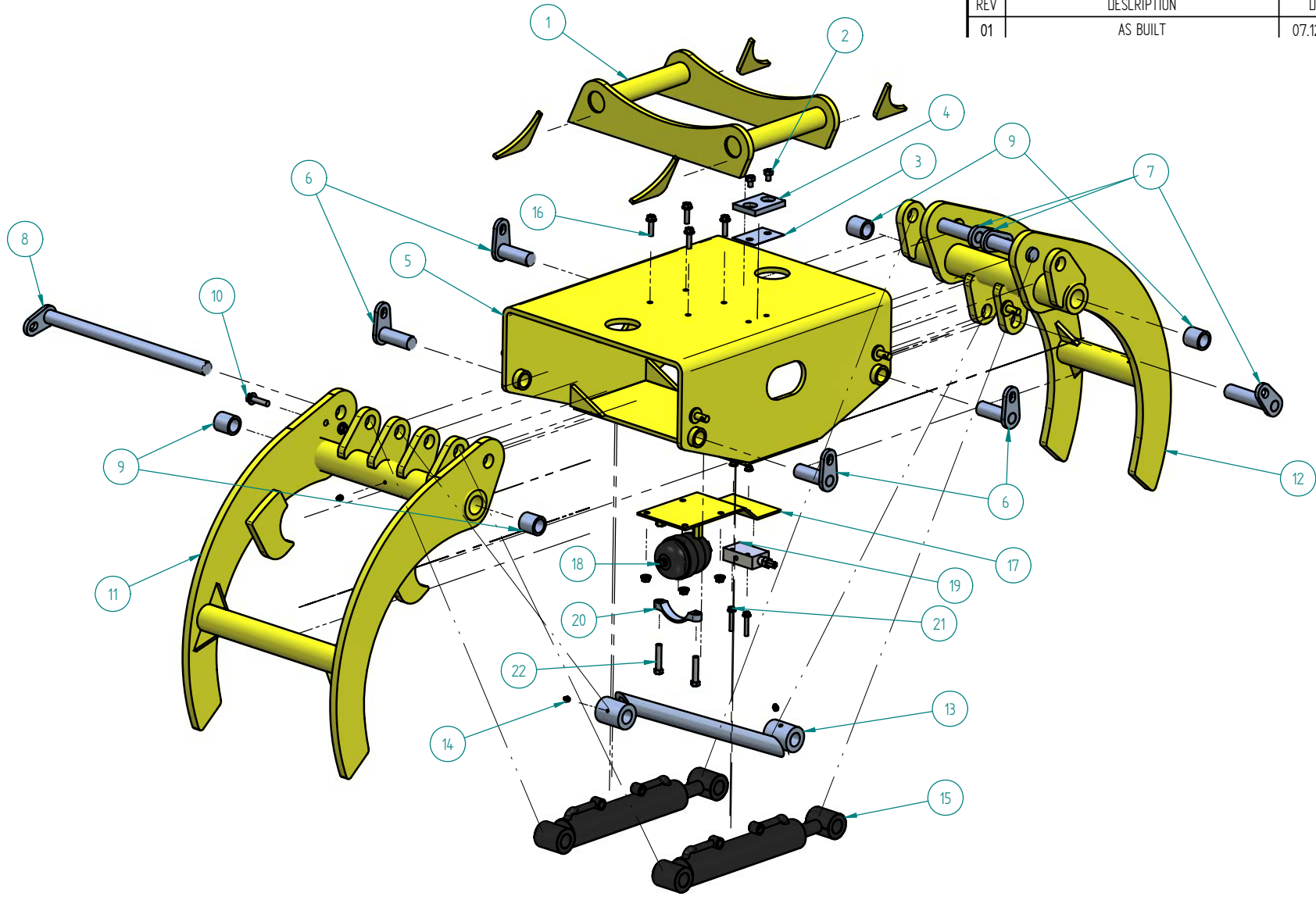



REVISION HISTORY			
REV	DESCRIPTION	DATE	APPROVED
01	AS BUILT	08.07.2008	O.J.DALE

	NAME	DATE	TITLE		
DRAWN	stian	08.07.2008	MOI KLOEN - 400 LITER - FRONTPAGE		
	SIZE	DWG NO	REF TO	REV	
	A3	I - 600-A		01	
FILE NAME: I - 600-A - 400 Liter - Moi Kloen - Frontpage.dwg					
SCALE: 1 : 5		WEIGHT:		SHEET 1 OF 1	

moi A/S

REVISION HISTORY			
REV	DESCRIPTION	DATE	APPROVED
01	AS BUILT	07.12.2007	O.J.DALE



DRAWN		NAME	DATE	TITLE		
		stian	07.12.2007	MOI KLOEN - 400 LITER - EKSPLODERT		
		SIZE	DWG NO	REF TO	REV	
		A3	I - 602		01	
SCALE:		WEIGHT:		SHEET 1 OF 1		

FILE NAME: I - 602 - 400 Liter - Moi Kloen - Eksploiert - Rev 01.d

DELELISTE FOR MOI KLOEN 400 LITER - 8 TONN

POS.NR.	DELE.NR.	PRODUKTNAMN	ANT.
1	515159	GRIND KM-05	1
2	515171	BOLT M12X15 M/SKIVE - RUSTFRI	2
3	515160	SKIMS 0,5MM	1
4	515161	BOLTPLATE	1
5	515162	KLO KASSEN	1
6	515113	LÅSEBOLT Ø32X90	4
7	515163	LÅSEBOLT Ø32X135	3
8	515164	LÅSEBOLT Ø32X500	1
9	515165	HERDET FORING	4
10	536026	BOLT M12X50 M/SKIVE OG MUTTER	1
11	515166	BRED GAFFEL	1
12	515167	SMAL GAFFEL	1
13	515168	BALANSERØR	1
14	546560	SMØRENIPPEL G1/8	4
15	994565	SYLINDER Ø60/30 X 452,5 + 295	2
		PAKNINGSETT	1
16	533508	BOLT M10X40 M/SKIVE OG MUTTER	4
17	515169	OPPHENGSPATE	1
18	515170	AKKUMULATOR - TYPE: AMM0,35P330CGO	1
19	515144	HENGEVENTIL	1
20	546527	4" KLEMME	1
21	536073	BOLT M8X50 M/SKIVE OG MUTTER	2
22	536090	BOLT M12X60	2